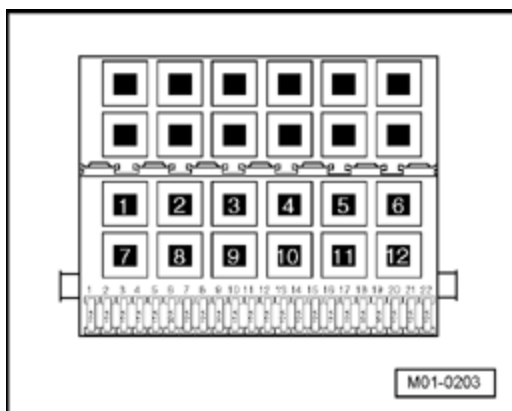


Volkswagen > Golf, Jetta, GTI, Cabrio > 1993-2002**2.0 Liter 4-Cyl. 2V Generic Scan Tool, Engine Code(s): ABA m.y. 1996-1999****20 - EVAP System**

.

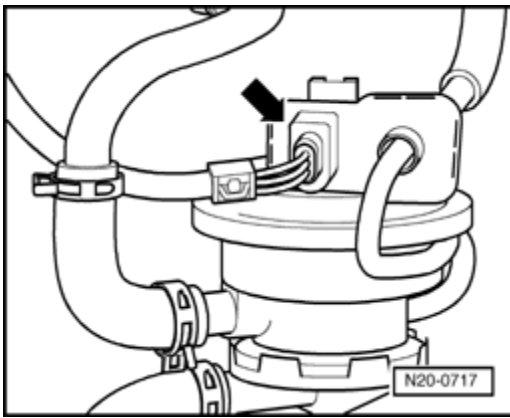
Leak Detection Pump, Checking

- ◆ Multimeter VAG1526 or multimeter VAG1715
- ◆ Connector test kit VAG1594
- ◆ Wiring diagram

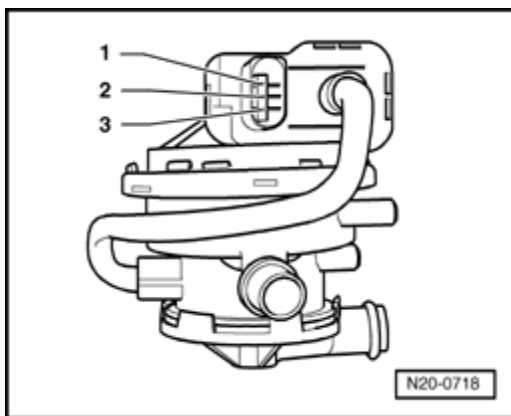
Test requirements

- ◆ The respective fuses of Leak detection pump (LDP) V144 must be OK: ⇒ Electrical Wiring Diagrams, Troubleshooting and Component Locations
- ◆ Ground (GND) connections between engine and chassis must be OK.
- ◆ Ignition switched off.

Test sequence



- Disconnect 3-pin connector of Leak Detection Pump (LDP) V144 (arrow).



- Measure resistance between terminals 1 + 3 of diagnostic pump. Specified value: 640 to 720 Ω
- Measure resistance between terminals 2 + 3 of diagnostic pump. Specified value: 12.5 to 19.5 Ω

If specified values are not obtained:

- Replacing Leak Detection Pump (LDP) V144 :
- Erase DTC memory of Engine Control Module (ECM) \Rightarrow Diagnostic Mode 04 - Erase DTC Memory , Diagnostic mode 4: Reset/erase diagnostic data.
- Generate readiness code \Rightarrow Readiness Code, Generating .

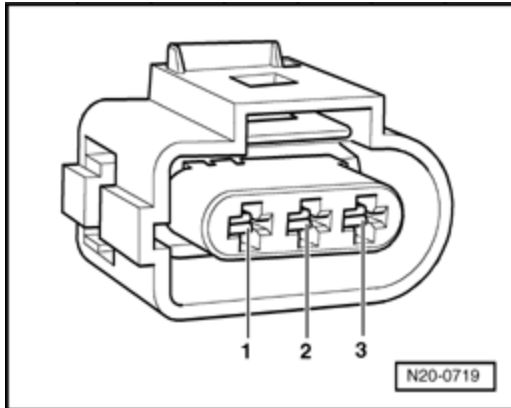
If specified values are obtained:

- Check wires according to wiring diagram.

Checking wiring

- Connect test box to control module wiring harness ⇒ Test Box, Connecting for Wiring Test , connect test box for wiring test.

Vehicles through 08.99



- Check wires between test box and 3-pin connector for open circuits according to wiring diagram.

Terminal 1+socket 46

Terminal 2+socket 35

Wire resistance: max. 1.5 Ω

- Check wires for short circuit to each other, to vehicle Ground (GND) and to B+.

Specified value: $\infty \Omega$

- Check wire between 3-pin connector terminal 3 for open circuit according to wiring diagram.

Wire resistance: max. 1.5 Ω

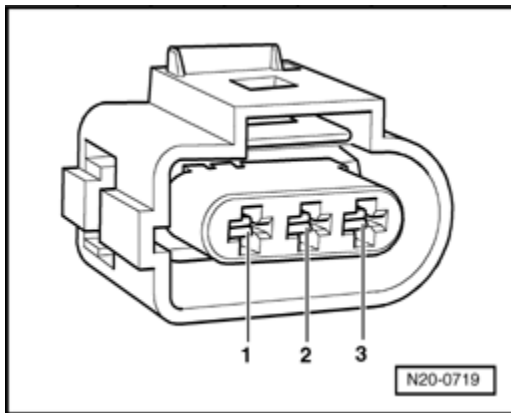
- Erase DTC memory of Engine Control Module (ECM) ⇒ Diagnostic Mode 04 - Erase DTC Memory , Diagnostic mode 4: Reset/erase diagnostic data.

- Generate readiness code ⇒ Readiness Code, Generating .

If no malfunctions are found in wires:

- Replace Motronic Engine Control Module (ECM) J220 ⇒ Engine Control Module, Replacing .

Vehicles from 09.99



- Check wires between test box and 3-pin connector for open circuits according to wiring diagram.

Terminal 1 + socket 37

Terminal 2 + socket 16

Wire resistance: max. 1.5 Ω

- Check wires for short circuit to each other, to vehicle Ground (GND) and to B+.

Specified value: $\infty \Omega$

- Check wire between 3-pin connector terminal 3 for open circuit according to wiring diagram.

Wire resistance: max. 1.5 Ω

- Erase DTC memory of Engine Control Module (ECM) \Rightarrow Diagnostic Mode 04 - Erase DTC Memory , Diagnostic mode 4: Reset/erase diagnostic data.

- Generate readiness code \Rightarrow Readiness Code, Generating .

If no malfunctions are found in wires:

- Replace Motronic Engine Control Module (ECM) J220 \Rightarrow Engine Control Module, Replacing .

Copyright © 2008 Volkswagen of America, Inc. and Bentley Publishers. All rights reserved. Last processed: