

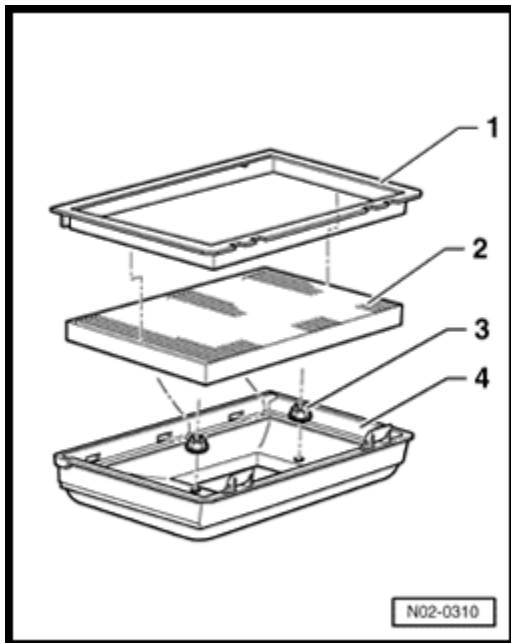
Volkswagen > New Beetle > 1998 - 2005

Heating & Air Conditioning

80 - Heating, Ventilation

Dust and pollen filter, removing and installing

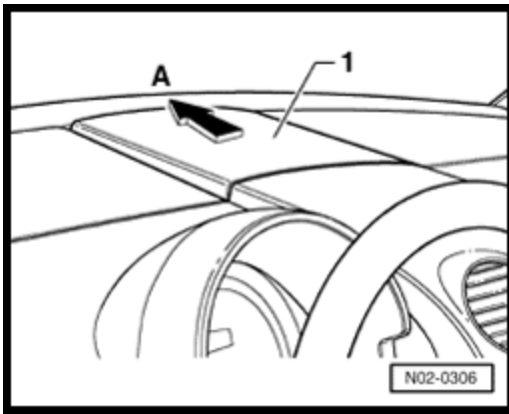
The filter is located in the right rear of the instrument panel under a cover.



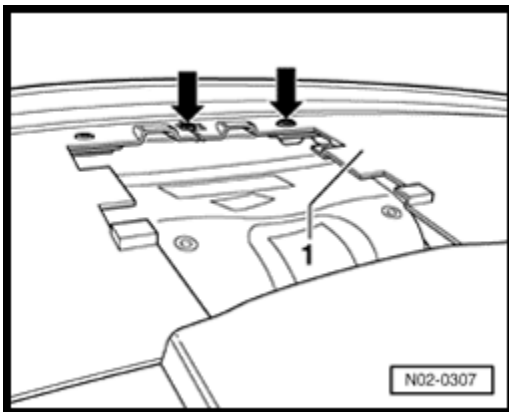
Components of dust and pollen filter:

- 1 - Frame
- 3 - Filter element
- 4 - Plastic nut, 2.5 Nm (20 in lb)
- 5 - Filter housing with seal

Removing



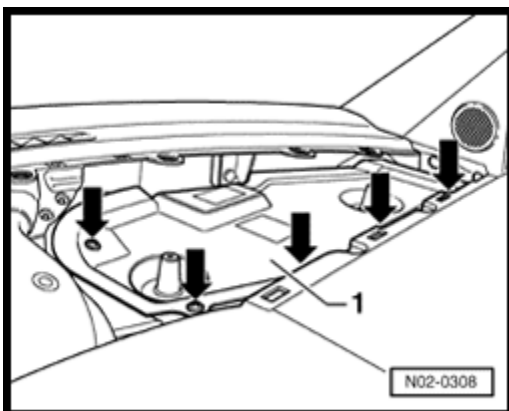
- Push center cover -1- forward -arrow A- and lift up to remove.



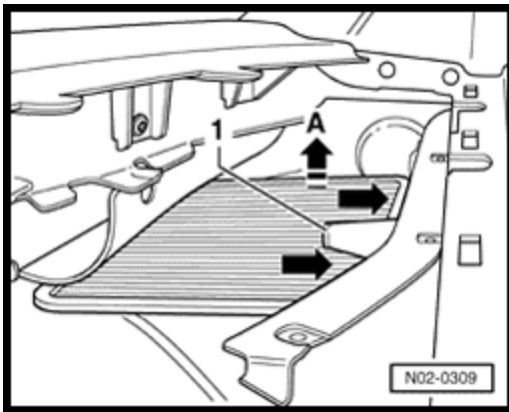
- Remove screws -arrows-.

- Lift right plenum panel cover -1- and remove from clips at front and rear edge.

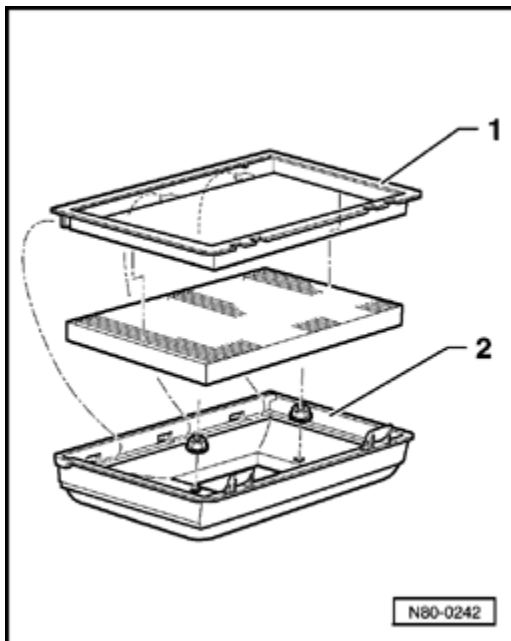
- Pull cover -1- toward center of vehicle and out of retainer in A-pillar to remove.



- Remove screws -arrows- and remove right closeout panel -1-.



- Remove rubber grommet -1-.
- Press tabs of filter housing in direction of -arrow-.
- Remove filter element with frame in upward direction -arrow A-.



Installing

- Guide frame -1- into first slot on left and right sides of new filter element.
- Press frame with filter into housing -2- and engage retainers.